

---

# Venture

---

## **Production History (rev info)**

### **SR-2 Sailboat Model**

2007 Began Production

### **SS-PR2 SuperSport Powerboat Model**

2007 Began Production

### **INC-45 Inclinometer**

2007 Began Production

\* We have changed the light assemblies used in our Venture series SR-2 & SS-PR2. The new light part # SH-0226 ASY is used:

- SR-2 serial # 08...881 to present
- SS-PR2 serial # 08..101 to present

The light assemblies are not interchangeable. If you are unsure of the correct replacement light part #, you can contact our service department at 781-709-3202.

## **Repair Tips**

Venture Model compasses and Inclinometers feature factory sealed capsules. Most repairs require merely replacing the capsule

## **Notes:**

### **SR-2**

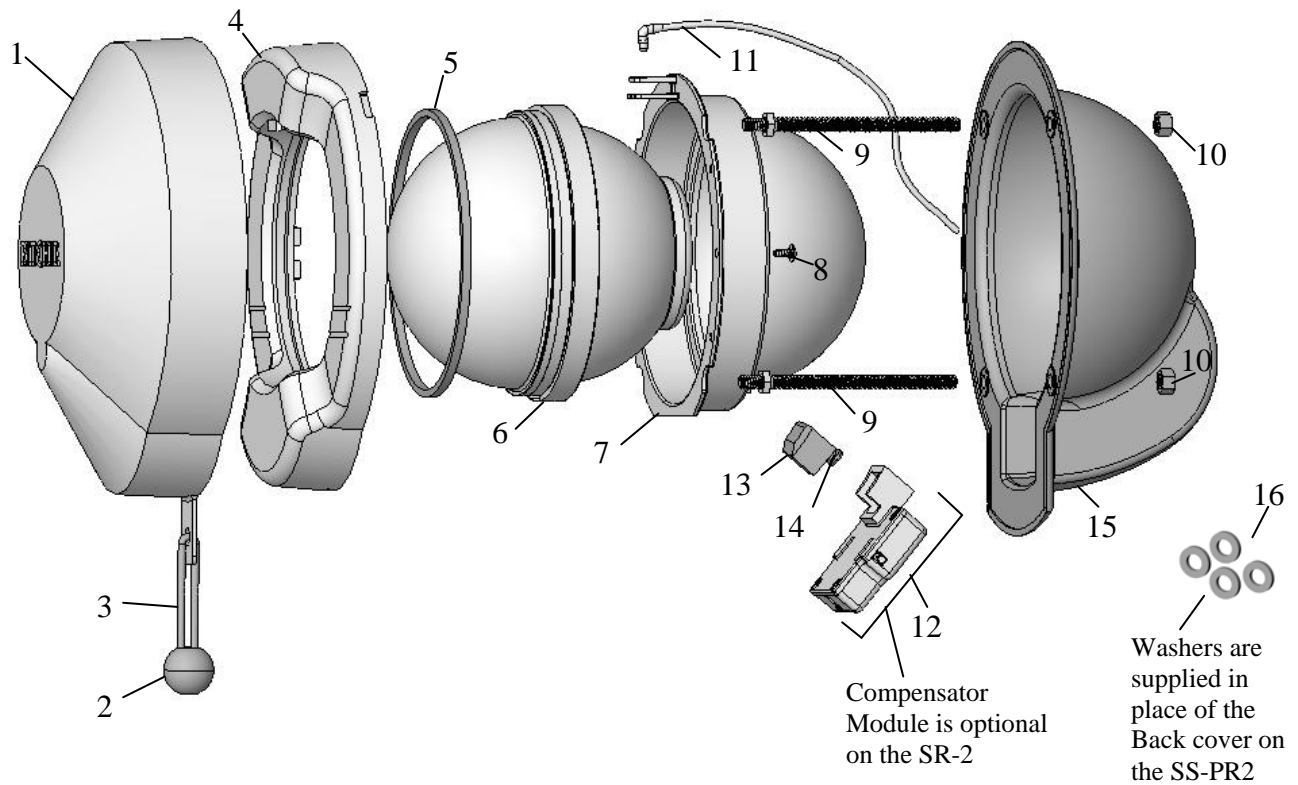
The SR-2 ships with a protective front cover, a protective back cover and an Inclinometer (INC-45)  
An optional Compensator Module is available for purchase (SR-CM2)

### **SS-PR2**

The SS-PR2 ships with a protective front cover and a compensator module.  
Optional back cover (BK-0020) and Inclinometer (INC-45) are available for purchase

# Venture SR-2, SS-PR-2

## SR-2 & SS-PR2



1	BK-0019 ASY	Protective Front Cover <i>Includes Key #'s 2 &amp; 3</i>
2	BK-0031	Bead
3	BK-0032	Lanyard
4	BK-0001	Bezel
5	HL-0218	Weather Gasket
6	BK-0012 ASY	Compass Capsule
7	BK-0002	Back Housing
8	MT-0315	Screw, Back Housing (Compass requires 6)
9	BK-0017	Mounting Stud (Compass requires 4)
10	BK-0018	Nut, Mounting (Compass requires 4)
11a	SH-0195 ASY*	LED, Light Assembly (see pg. 8-1 of service manual)
11b	SH-0226 ASY*	LED, Light Assembly (see pg. 8-1 of service manual)
12	SR-CM2	Compensator Module Kit <i>Includes key #'s 13 &amp; 14 (optional on SR-2)</i>
13	BK-0014 MCH	Slide, Compensator Module
14	SH-0068	Screw, Compensator Slide
15	BK-0020	Protective Back Cover (SR-2 Only)
16	BK-0028	Mounting Washer (SS-PR-2 Only)

Mounting Gasket **Part # BK-0021**

Inclinometer (optional) **Part # INC-45**

Mounting screws for Inclinometer **Part # IC-0006** (requires 2)