

---

# Voyager

---

## Production History (Rev info) 1981 to Present

### All Voyager models

- 1986: (No Rev #) Changed from a red incandescent bulb to a red LED.  
1993: (No Rev #) Changed from a red LED to a green LED.  
1999: (Rev # 1) Changed LED to a solid-state design in sunshade.  
2000: (No Rev #) Changed clip in sunshade to improve lighting.  
2001: (Rev #1) Changed to Isopar L dampening fluid.  
(Rev #2) All Voyager Compasses received Wheelmark Certification.  
2003: (No Rev #) Changed part number of fill plug.  
2005: (Rev # 1) Changed to brighter lighting

### RU-90

- 1990: (No Rev #) Changed bezel from White to Black.

### B-81, F-83's, D-85

- 1997: (Rev #1) Changed Dial to CombiDamp type & added second LED (sunshade).  
1998: (Rev #1) Changed LED to a solid-state design in bezel.

### B-81's, F-83's & F-83W

- 2000: (Rev #1) Re-designed compass to a sealed capsule (modular) design.

### F-83's & F-83W

- 2001: (Rev #3) Changed Comprod (See Service Bulletin SB0013)

## Re-assembly Tips

When replacing the diaphragm retainer, which also contains the compensators, (*except* models RU-90 and RU-90W) make sure the compensators are positioned properly. In the correct position, you will see the slotted end of one rod facing aft, and the other rod's slotted end-facing starboard.

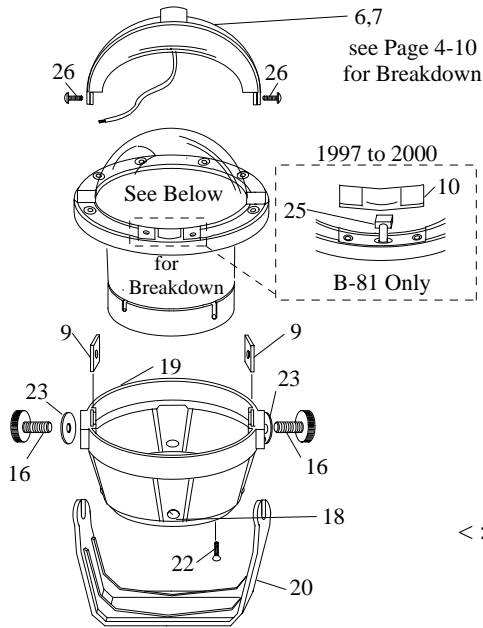
**On models with direct reading dials, make sure both gimbal pins are located in the upper holes of the lubber line pan assembly. On models with open face dials, both gimbal pins *must* be located in the lower holes of the lubber line pan assembly.**

On all Voyager models, (except modular types) install the two sunshade retaining nuts, Part # SH-0038, under the bezel. These rectangular nuts *must* be installed with their long side downward.

# Voyager

## B-80, B-81, B-81W

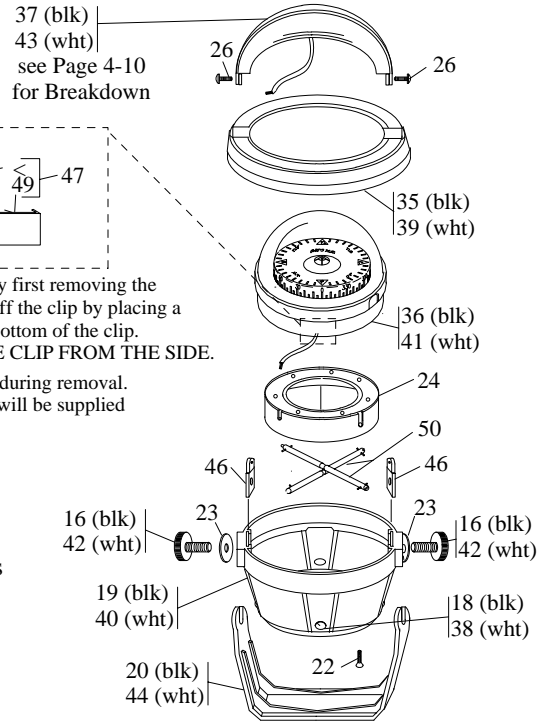
### B-80 (1981 to present) B-81 (1981 to 2000)



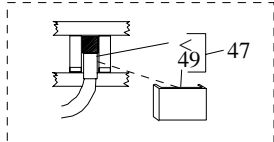
6,7  
see Page 4-10  
for Breakdown

1997 to 2000  
B-81 Only

### B-81 & B-81W 2000 (Rev 1) to present



37 (blk)  
43 (wht)  
see Page 4-10  
for Breakdown

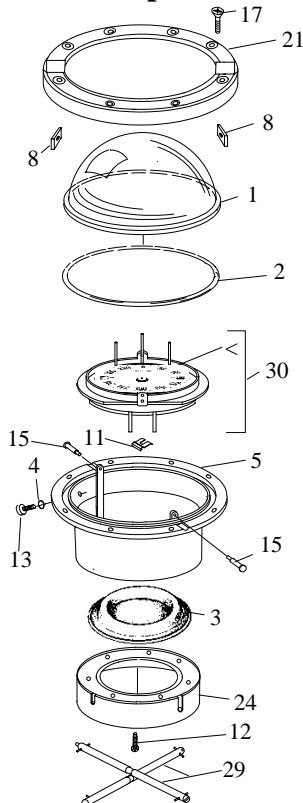


Remove the LED by first removing the position clip. Pry off the clip by placing a screwdriver at the bottom of the clip. **DO NOT PRY THE CLIP FROM THE SIDE.**

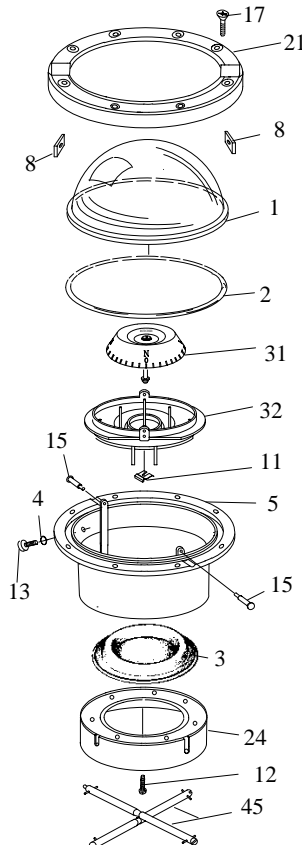
The clip may break during removal. A replacement clip will be supplied with the new LED.

< : Indicates the part is not sold separately.

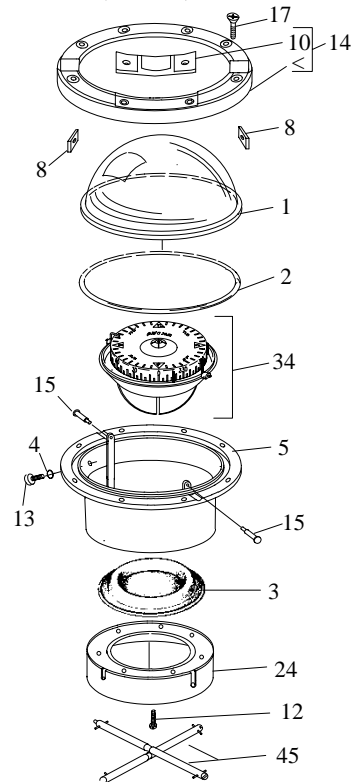
### B-80 Capsule 1981 to present



### B-81 Capsule 1981 to 1997



### B-81 Capsule 1997 (Rev 1) to 2000



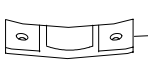
# Voyager Bracket Mounts

1	VY-0017	Dome	1981 to 2000 (B-80: 1981 to present)	B-80 & B-81
2	VY-0046	O-ring, dome		
3	VY-0016	Diaphragm		
4	SH-0039	O-ring, fill plug screw		
5	VY-0004	Bowl		
6	VY-0055 ASY	Sunshade, black with <b>red</b> LED		
7	VY-0056 ASY	Sunshade, black with <b>green</b> LED		
8	SH-0038	Nut, 6-32, square, sunshade		
9	VY-0045	Nut, thumbscrew retaining		
10	VY-0110	Light Cover, black		
11	SH-0052	Retainer, dial		
12	SH-0062	Screw 4-24 x 3/8" Rnd, diaph retainer		
13	SH-0138	Fill Plug Screw		
14	VY-0001 DRL	Bezel, black accepts DR Light	1997 (rev 1) to 2000	B-81
15	VY-0019	Gimbal pin	1981 to 2000 (B-80: 1981 to present)	B-80 & B-81
16	SH-0077 ASY	Thumbscrew, black		
17	SH-0061	Screw, 4-24 x 1/2" Flt, bezel		
18	SH-0045	Hole plug, Black	All	B-80
19	VY-0020	Housing, black, bracket mount		
20	VY-0007	Bracket, black		
21	VY-0001	Bezel, black		
22	SH-0063	Screw, 4-24 x 5/8", brkt housing	All	B-80, B-81, B-81W
23	HL-0095	Washer, thumbscrew		
24	VY-0050	Retainer, diaphragm & comprods		
25	SH-0195 ASY	Green light		
26	SH-0067	Screw, sunshade retaining		
29	VY-0052 MAG	Compensator Rod, for open face dial	All	B-80
30	VY-0084 ASY	Dial/Pan, black, open face <i>Includes Key # 11</i>	1981 to 1997	B-81
31	VY-0013 ASY	Dial, (black), direct read		
32	VY-0048 ASY	Pan, for black direct read dials	1997 (Rev #1) to 2000	B-81
34	VY-0119 ASY	Dial/Pan assembly, (black), CombiDamp		
35	VY-0142	Bezel, black, for modular type		
36	VY-0154 ASY	Capsule, Black	2000 (Rev #1) to Present	B-81W
37	VY-0147 ASY	Sunshade, black with <b>green</b> LED		
38	SH-0144	Hole plug, White		
39	VY-0143	Bezel, white, for modular type		
40	VY-0158	Housing, white, bracket mount		
41	VY-0153 ASY	Capsule, white		
42	EX-0173 ASY	Thumbscrew, white		
43	VY-0148 ASY	Sunshade, white & Green LED		
44	VY-0159	Bracket, white		
45	VY-0053 MAG	Compensator Rod	1981 to 2000	
46	VY-0150 THD	Nut, shade & housing	2000 (Rev #1) to Present	B-81 & B-81W
47	SH-0194 ASY	Green light, <i>Includes Key # 49</i>		
49	VY-0151	Clip, capsule light		
50	VY-0172 MAG	Compensator rod for modular type		

# Voyager

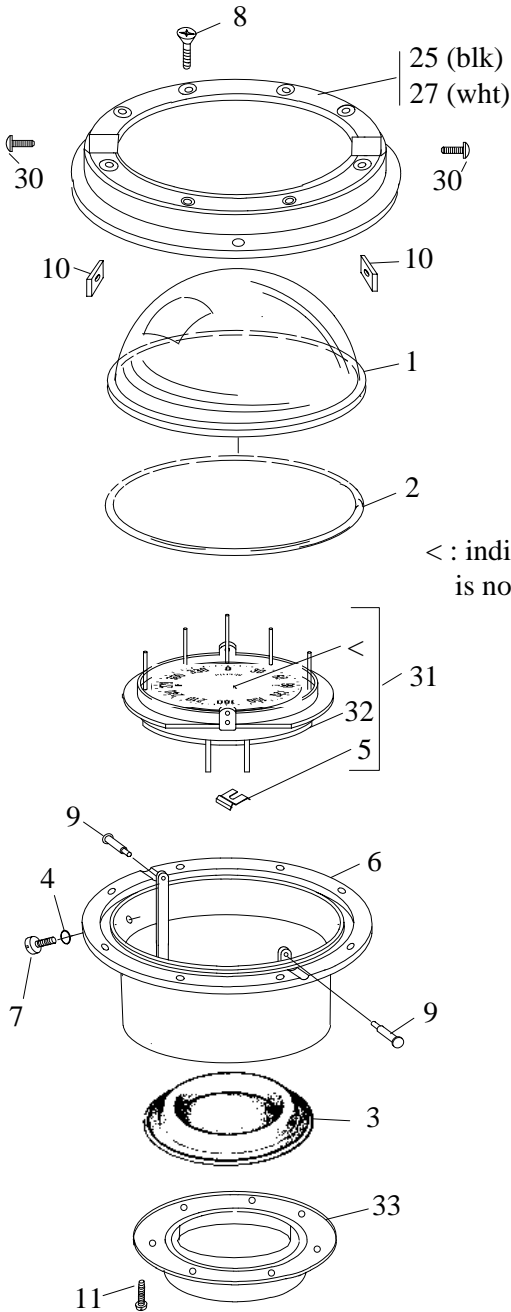
## F-82, F-82W, RU-90, RU-90W

Cosmetic Cover  
1997 to 2002



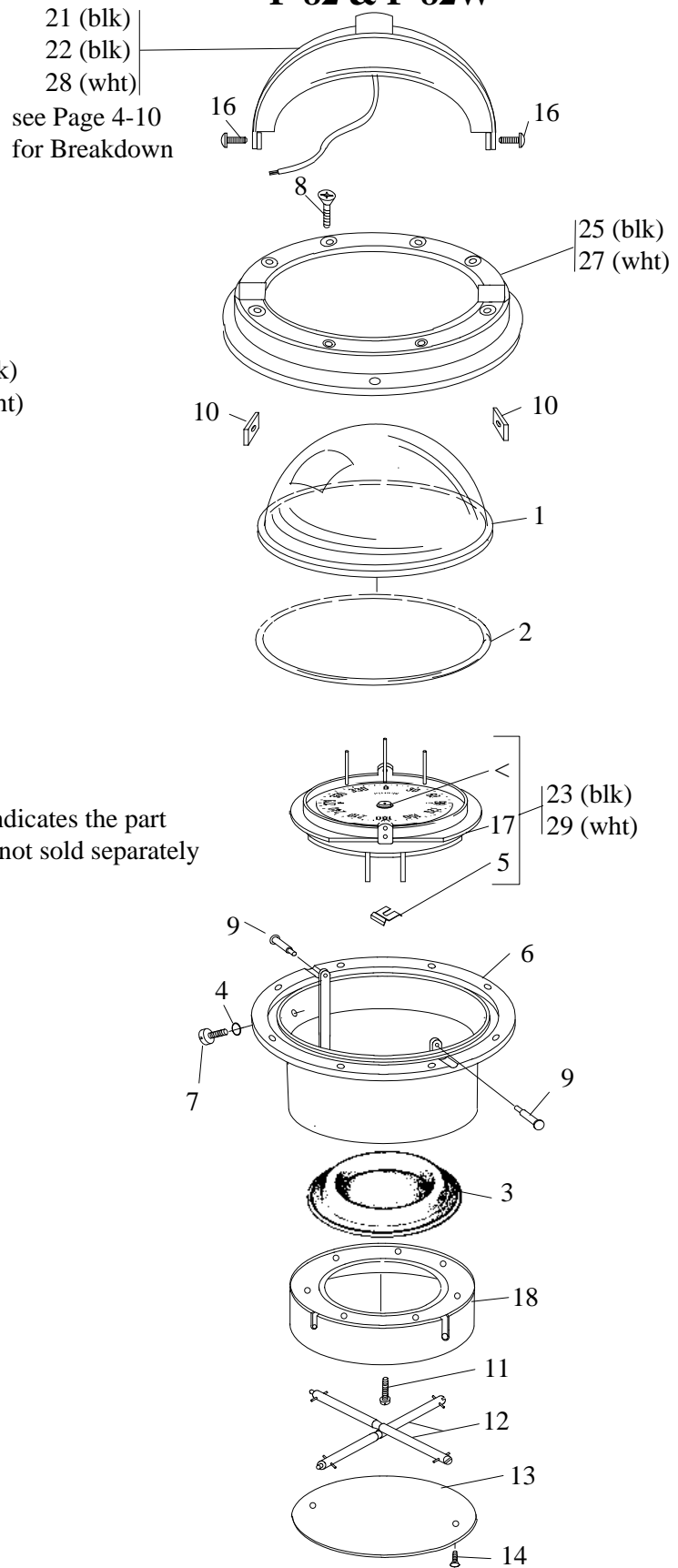
24 (blk)  
26 (wht)

### RU-90 & RU-90W



< : indicates the part  
is not sold separately

### F-82 & F-82W



# Voyager

## Open Face Flush Mounts

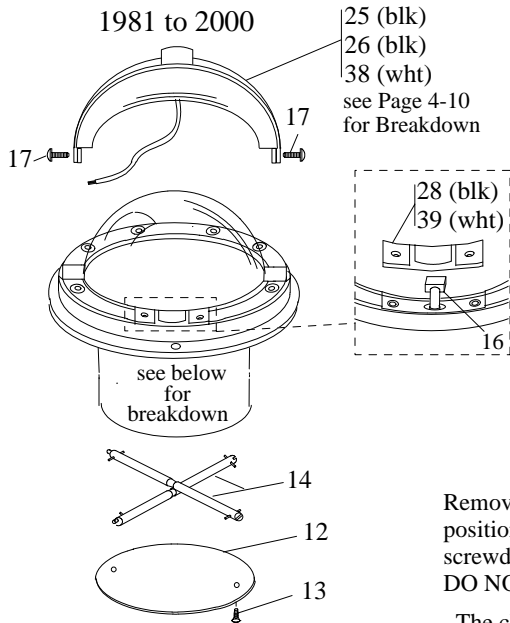
1	VY-0017	Dome	F-82, F-82W, RU-90, RU-90W
2	VY-0046	O-ring, dome	
3	VY-0016	Diaphragm	
4	SH-0039	O-ring, fill plug screw	
5	SH-0052	Retainer, dial	
6	VY-0004	Bowl	
7	SH-0138	Screw, fill plug	
8	SH-0061	Screw, 4-24 x 1/2" Flt, bezel	
9	VY-0019	Gimbal pin	
10	SH-0038	Nut, 6-32, square, sunshade	
11	SH-0062	Screw 4-24 x 3/8" round, diaph retainer	
12	VY-0052 MAG	Compensator rod, for open face dial	
13	VY-0009	Comp cover	
14	SH-0064	Screw, 4-40 x 1/4", comp cover	
16	SH-0067	Screw, sunshade retaining	
17	VY-0047 ASY	Pan, open face	F-82
18	VY-0050	Retainer, diaphragm & comprods	
21	VY-0055 ASY	Sunshade, black with <b>red</b> LED	
22	VY-0056 ASY	Sunshade, black with <b>green</b> LED	F-82 & RU-90
23	VY-0084 ASY	Dial/Pan assembly, black, open face, <i>Includes Key #'s 5 &amp; 17</i>	
24	VY-0110	Light Cover, black	F-82W & RU-90W
25	VY-0002	Bezel, flush mount, black	
26	VY-0113	Light Cover, white	F-82W
27	VY-0076	Bezel, flush mount, white	
28	VY-0075 ASY	Sunshade, white with <b>green</b> LED	RU-90 & RU-90W
29	VY-0088 ASY	Dial/Pan assembly, white, open face <i>Includes Key #'s 5 &amp; 17</i>	
30	SH-0068	Screw, 6-32 x 5/16" RU-90	RU-90 & RU-90W
31	VY-0085 ASY	Dial/Pan, open face, blue <i>Includes Key #'s 5 &amp; 32</i>	
32	VY-0058 ASY	Pan, w/ 90's	
33	VY-0049	Retainer, Diaphragm	

Mounting Gasket for all Flush Mount Voyagers **PART # VY-0164**

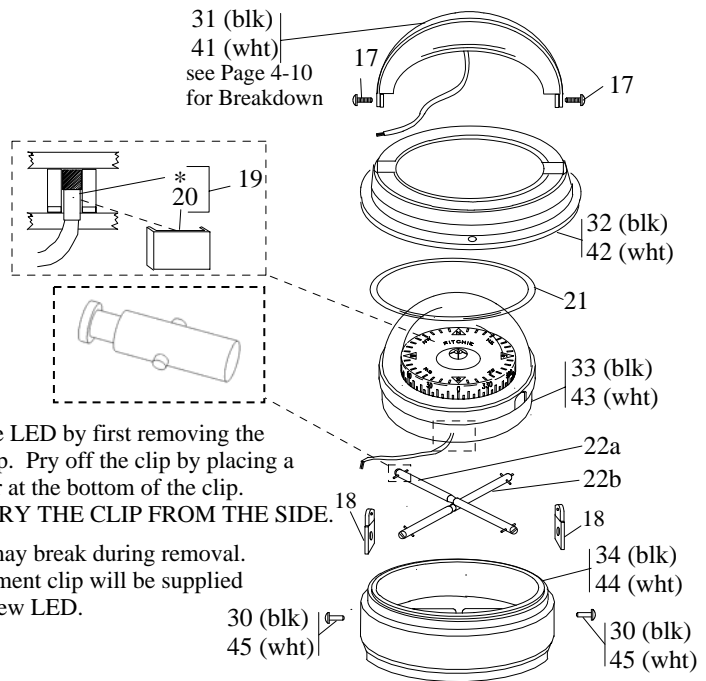
# Voyager

## F-83, F-83W

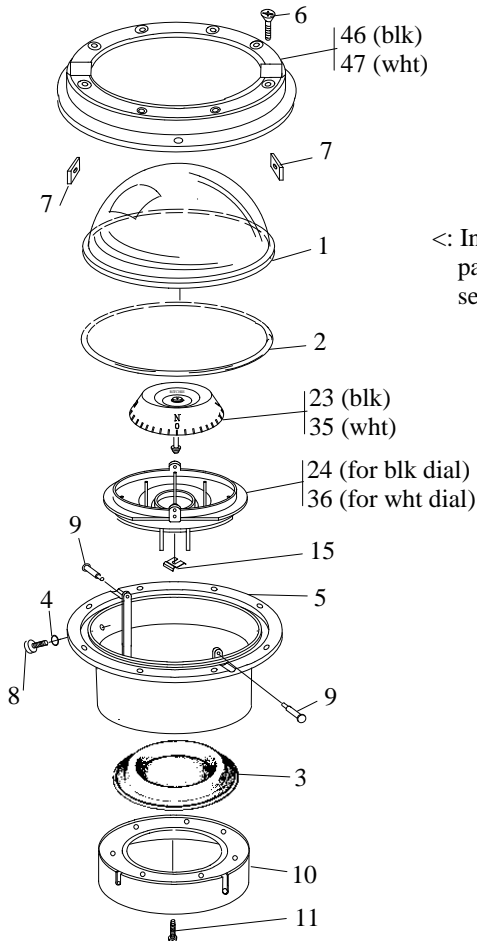
### F-83 & F-83W 1981 to 2000



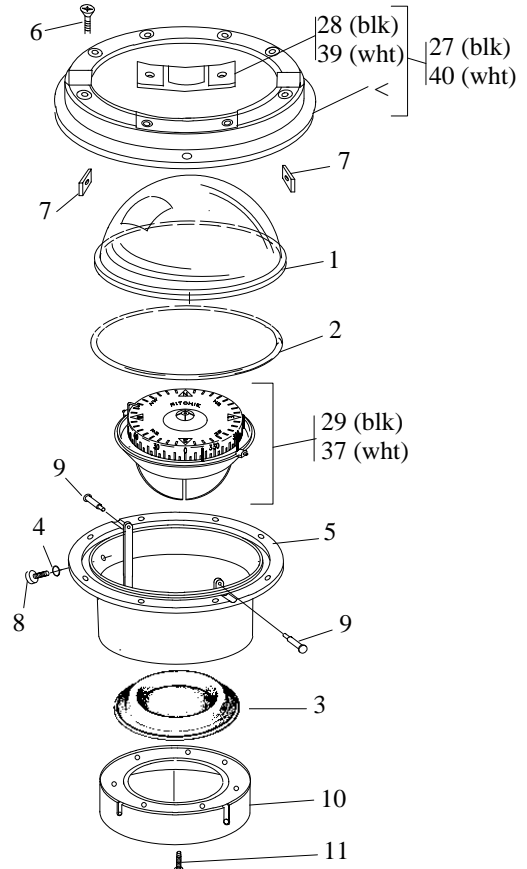
### F-83 & F-83W 2000 (Rev 1) to present



### F-83 & F-83W 1981 to 1998



### F-83 & F-83W 1999 to 2000



# Voyager

## Direct Read and CombiDamp Flush Mounts

1	VY-0017	Dome	1981 to 2000	F-83 & F-83W
2	VY-0046	O-ring, dome		
3	VY-0016	Diaphragm		
4	SH-0039	O-ring, fill plug screw		
5	VY-0004	Bowl		
6	SH-0061	Screw, 4-24 x 1/2" Flt, bezel		
7	SH-0038	Nut, 6-32, square, sunshade		
8	SH-0138	Screw, fill plug		
9	VY-0019	Gimbal pin		
10	VY-0050	Retainer, diaphragm & Comprods		
11	SH-0062	Screw 4-24 x 3/8" Rnd, diaph retainer		
12	VY-0009	Comp cover		
13	SH-0064	Screw, 4-40 x 1/4", Comp cover		
14	VY-0053 MAG	Compensator Rod		
15	SH-0052	Retainer, dial	1981 to 1998	
16	SH-0195 ASY	Green Light	1981 to present	
17	SH-0067	Screw, sunshade retaining	2001 to present	
18	VY-0150 THD	Nut, shade & housing		
19	SH-0194 ASY	Green light, <i>Includes Key # 20</i>		
20	VY-0151	clip, capsule light		
21	VY-0156	Weather Seal, foam gasket		
22a	VY-0180 MAG*	Compensator Rod with holding cap		
22b	n/a use 22a	Compensator Rod		
23	VY-0013 ASY	Dial, black, direct read	1981 to 1998	F-83
24	VY-0048 ASY	Pan, for black direct read dials	1981 to 2000	
25	VY-0055 ASY	Sunshade, black with <b>red</b> LED		
26	VY-0056 ASY	Sunshade, black with <b>green</b> LED		
27	VY-0002 DRL	Bezel, flush mount, black <i>Includes Key #28</i>		
28	VY-0110	Light Cover, black	1998 to 2000	
29	VY-0119 ASY	Dial/Pan Assembly, black, CombiDamp	2000 (Rev #1) to present	
30	VY-0157	Snap Rivet, black		
31	VY-0147 ASY	Sunshade, black with <b>green</b> LED		
32	VY-0140	Bezel, black, for flush modular type	1994 to 1998	
33	VY-0154 ASY	Capsule, black		
34	VY-0144	Lower Housing, black, for flush modular type		
35	VY-0078 ASY	Dial, white, direct read		
36	VY-0103 ASY	Pan Assembly, for white direct read dials		
37	VY-0120 ASY	Dial/Pan Assembly, (white), CombiDamp		
38	VY-0075 ASY	Sunshade, white, with <b>green</b> LED		
39	VY-0113	Light Cover, white	1994 to 2000	
40	VY-0076 DRL	Bezel, flush mount, white, <i>Includes Key #39</i>	2000 (Rev #1) to present	
41	VY-0148 ASY	Sunshade, white, with <b>green</b> LED		
42	VY-0141	Bezel, white, for flush modular type		
43	VY-0153 ASY	Capsule, white		
44	VY-0149	Lower Housing, white, for flush modular type		
45	VY-0157 WHT	Snap Rivet, black	1981 to 1998	F-83
46	VY-0002	Bezel, Black, w/o light access hole.	1994 to 1998	F-83W
47	VY-0076	Bezel White, w/o light access hole.		

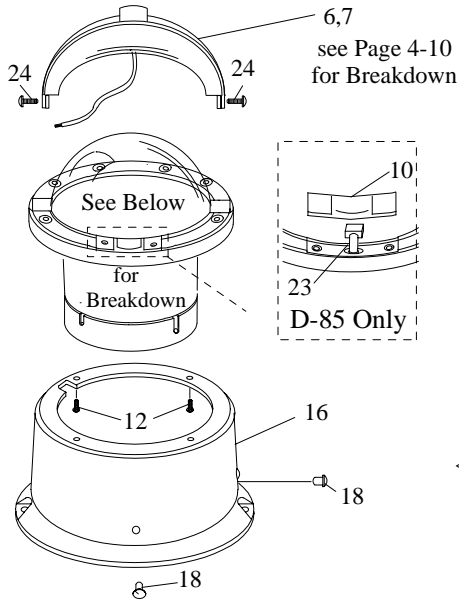
\* VY-0180 ASY must be placed in the Upper position. It is OK to have a second VY-0180 ASY in the lower position but not necessary. See SB0013 for Details.

Mounting Gasket for all Voyager Flush Mounts **PART # VY-0164**

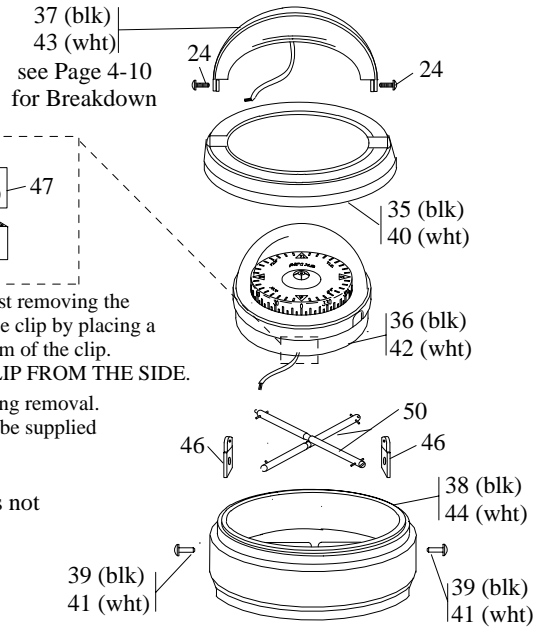
# Voyager

## D-84, D-85, S-87, S-87W

### D-84 & D-85



### S-87 & S-87W

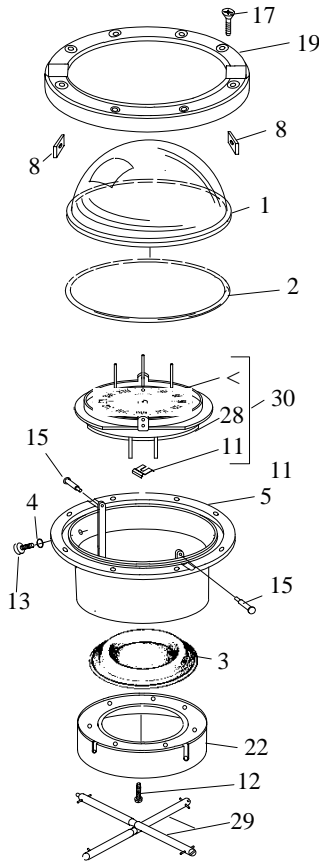


Remove the LED by first removing the position clip. Pry off the clip by placing a screwdriver at the bottom of the clip. **DO NOT PRY THE CLIP FROM THE SIDE.** The clip may break during removal. A replacement clip will be supplied with the new LED.

< : Indicates the part is not sold separately.

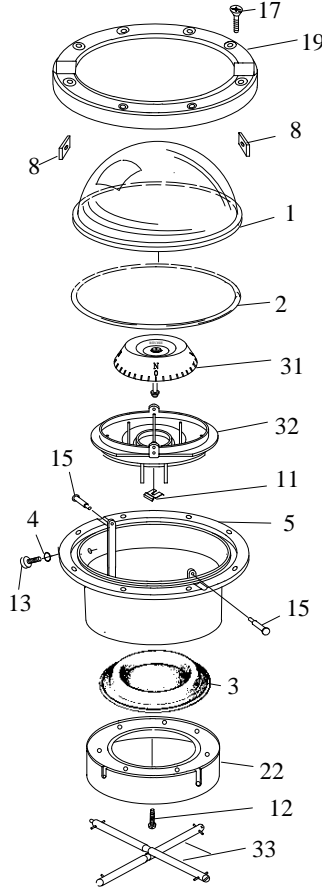
### D-84

1981 to Present



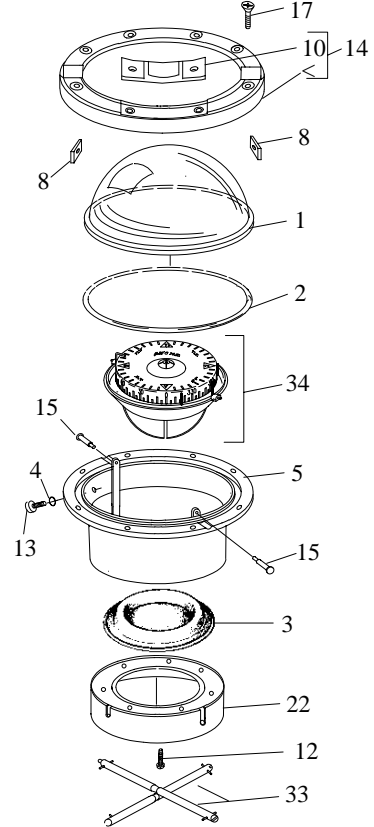
### D-85

1981 to 1997



### D-85

1997 (Rev 1) to Present





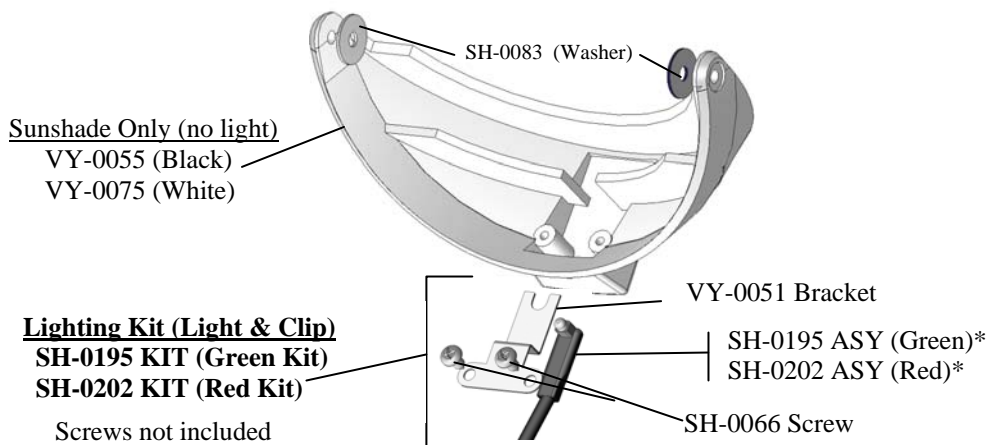
# Voyager

## Deck & Surface Mount

1	VY-0017	Dome	1981 to Present	D-84 & D-85
2	VY-0046	O-ring, dome		
3	VY-0016	Diaphragm		
4	SH-0039	O-ring, fill plug screw		
5	VY-0004	Bowl		
6	VY-0055 ASY	Sunshade, black with <b>red</b> LED		
7	VY-0056 ASY	Sunshade, black with <b>green</b> LED		
8	SH-0038	Nut, 6-32, square, sunshade		
10	VY-0110	Light Cover, black		
11	SH-0052	Retainer, dial assembly		
12	SH-0062	Screw 4-24 x 3/8" rnd, diaph retainer		
13	SH-0138	Fill Plug Screw		
14	VY-0001 DRL	Bezel, black, <i>Includes Key # 10</i>		
15	VY-0019	Gimbal pin		
16	VY-0021	Deck Housing		
17	SH-0061	Screw, 4-24 x 1/2" flt, bezel		
18	SH-0045	Hole plug, Black		
19	VY-0001	Bezel, black		
22	VY-0050	Retainer, diaphragm & comprods		
23	SH-0195 ASY	LED & wire, green		
24	SH-0067	Screw, sunshade retaining	ALL	D-84
28	VY-0047 ASY	Pan assembly, open face		
29	VY-0052 MAG	Compensator rod, for open face dial		
30	VY-0084 ASY	Dial/Pan, black, <i>Includes Key #'s 11 &amp; 28</i>	1981 to 1997	D-85
31	VY-0013 ASY	Dial, (black), direct read		
32	VY-0048 ASY	Pan, for black direct read dials		
33	VY-0053 MAG	Compensator rod, for Direct and Combi	1997 (Rev #1) to present	
34	VY-0119 ASY	Dial/Pan asy, (black), CombiDamp		
35	VY-0142	Bezel, black, for modular type	ALL	S-87
36	VY-0154 ASY	Capsule, black		
37	VY-0147 ASY	Sunshade, black & green LED		
38	VY-0145	Surface Housing, lower, black		
39	VY-0157	Snap Rivet, black		
40	VY-0143	Bezel, white, for modular type	ALL	S-87W
41	VY-0157 WHT	Snap Rivet, white		
42	VY-0153 ASY	Capsule, White		
43	VY-0148 ASY	Sunshade, white & Green LED		
44	VY-0146	Surface Housing, lower, white	ALL	S-87 & S-87W
46	VY-0150 THD	Nut, shade & housing		
47	SH-0194 ASY	Green Light, <i>Includes key # 49</i>		
49	VY-0151	Clip, capsule light		
50	VY-0172 MAG	Compensator rod, for modular units		

# Voyager Lighting

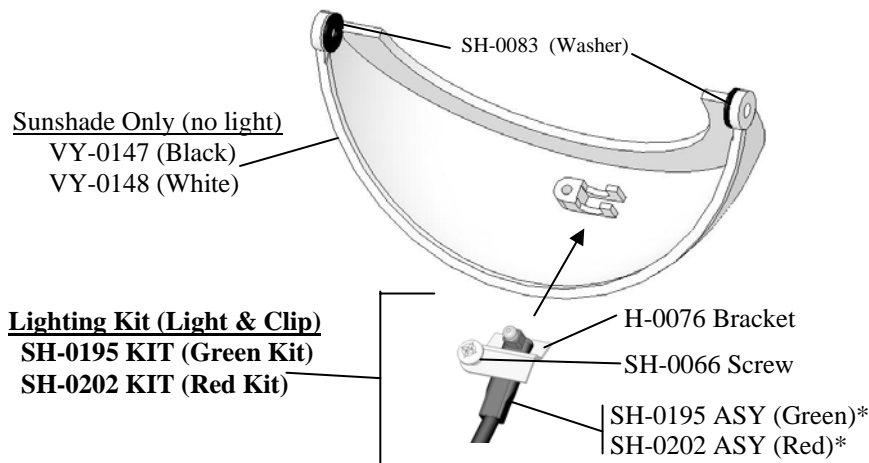
**All F-82's, B-80's, D-84's & D-85's**  
plus **F-83's** built between 1984 and 2001 rev 1



\*If you are replacing a sunshade light on any Voyager compass built before 2005 rev 1 you will need a new bracket. We recommend purchasing the Lighting kit.

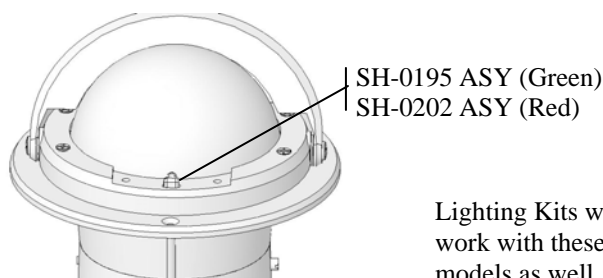
**Quick Ordering Tip:**  
The Lighting Kit contains an assortment of clips to meet the needs for light replacement for either type on any Voyager model compass.

**All S-87's**  
plus **F-83's and B-81's** built after 2000 rev 1



Please note the kit come with one LED. If you need to replace both lights on your compass you will need to purchase the second light separately.

**All D-85's**  
plus **F-83's** built between 1984 and 2001 rev 1



Lighting Kits will work with these models as well.

**All S-87's**  
plus **F-83's and B-81's** built after 2000 rev 1

