
X-Port

Production History (rev info)

XP-98W, XP-99 & XP-99W

2008 Began Production

Repair Tips

X-Port Models feature factory sealed capsules. Most repairs require merely replacing the capsule

*The VY-0202 gasket is not necessary in all X-Ports. When repairing, do not add a gasket to models that do not have one.

Notes:

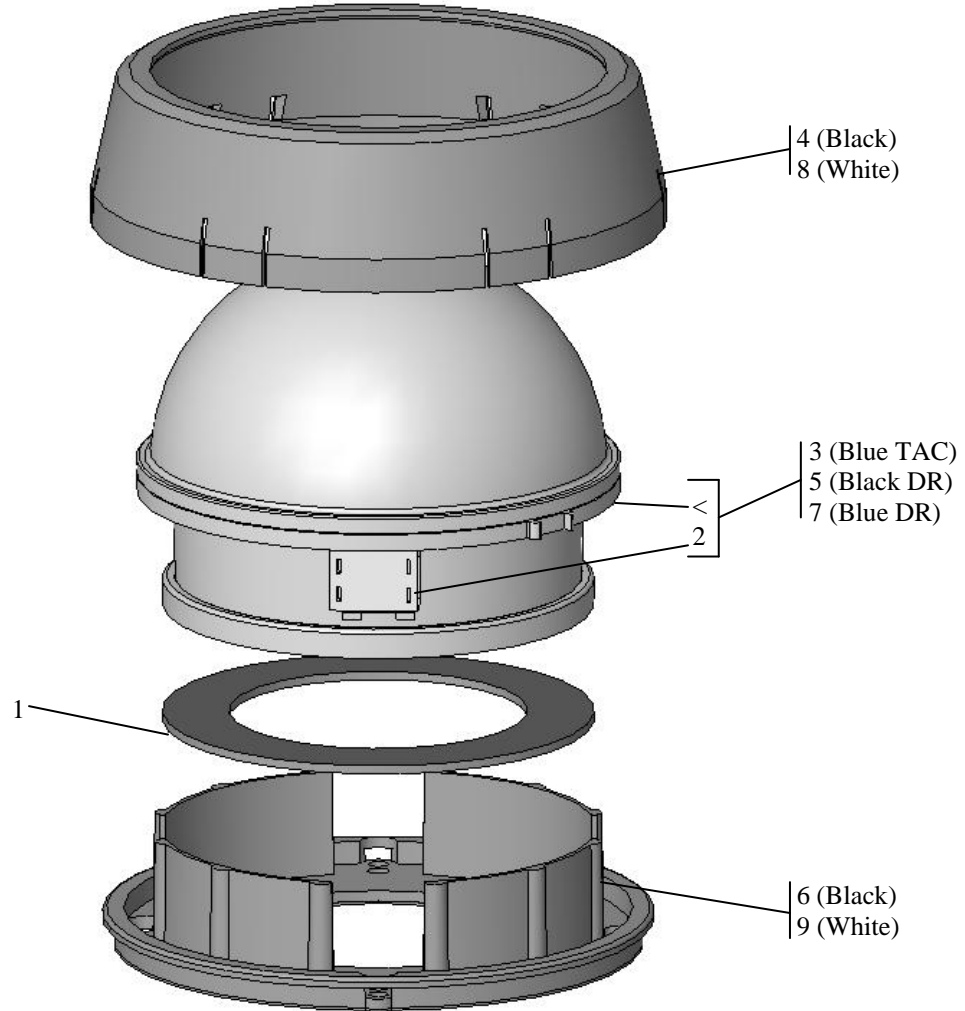
The X-Port models replaced the Ritchie Kayaker and Tactician Models. The replacements are as follows.

<u>Old</u>	<u>New</u>
S-58W	XP-98W
S-59	XP-99
S-59W	XP-99W

The X-Port Models are designed to mount on the Ritchie Kayaker Tie-down model K-TD.2

X-Port

XP-98W, XP-99 & XP-99W



1	VY-0202*	Spacer Gasket (see pg. 9-1 of service manual)	All
2	VY-0151	Clip, capsule	All
3	VY-0205 ASY	Capsule, with Blue Tactician Dial	XP-98W
4	VY-0201 BLK	Bezel, Rotating, Black	XP-99
5	VY-0206 ASY	Capsule, with Black Direct Read Dial	
6	VY-0200 BLK	Lower Base, Black	XP-99W
7	VY-0221 ASY	Capsule, with Blue Direct Read Dial	
8	VY-0201 WHT	Bezel, Rotating, White	
9	VY-0200 WHT	Lower Base, White	

Mounting Gasket **Part # VY-0203**